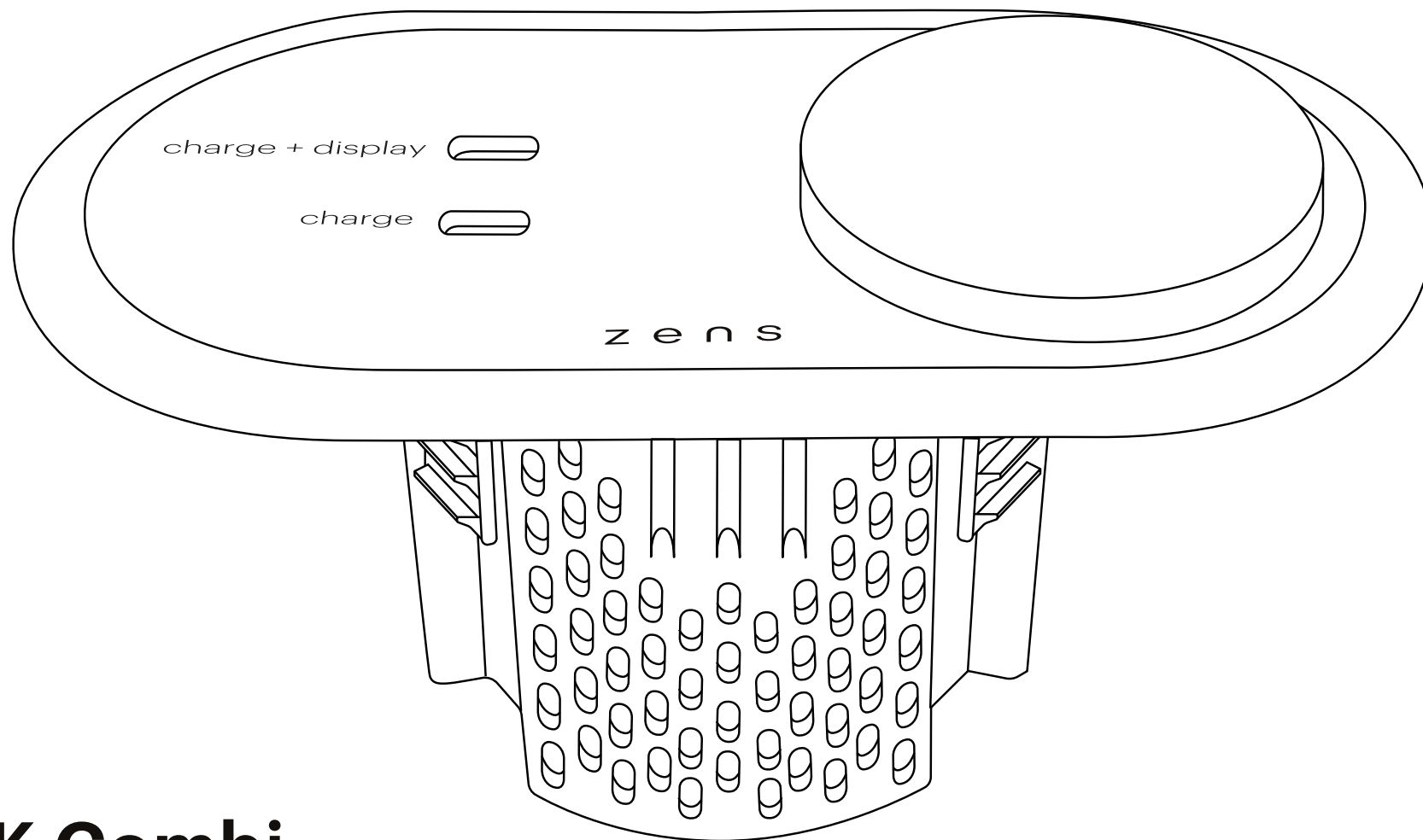
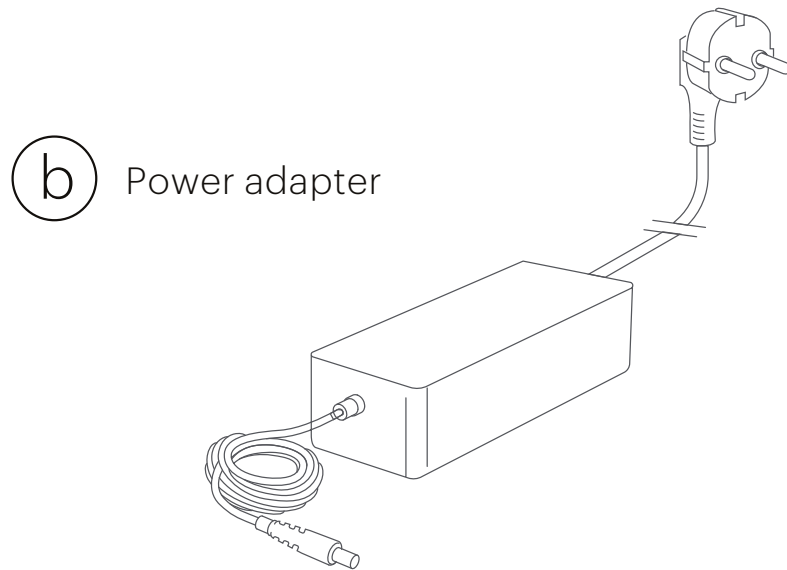
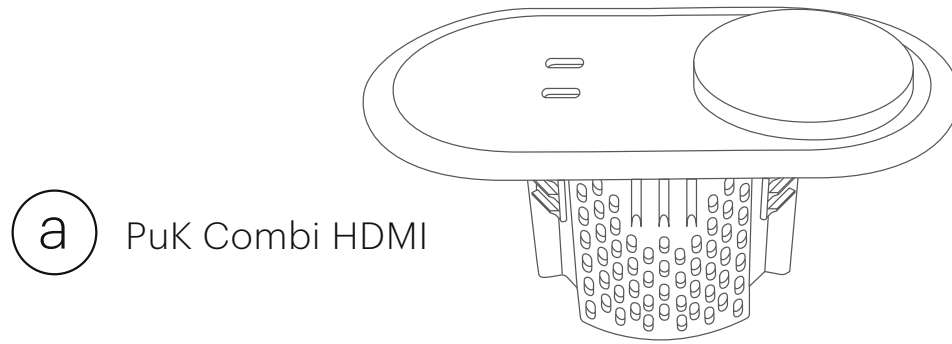


z e n s



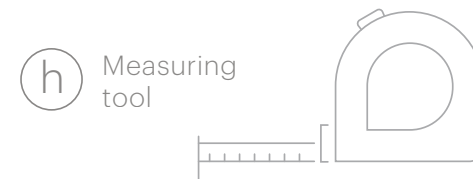
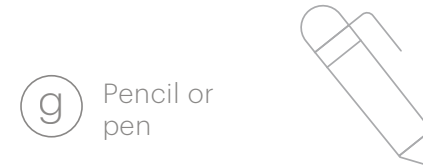
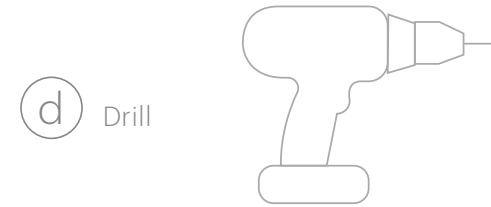
# **PuK Combi HDMI installation**

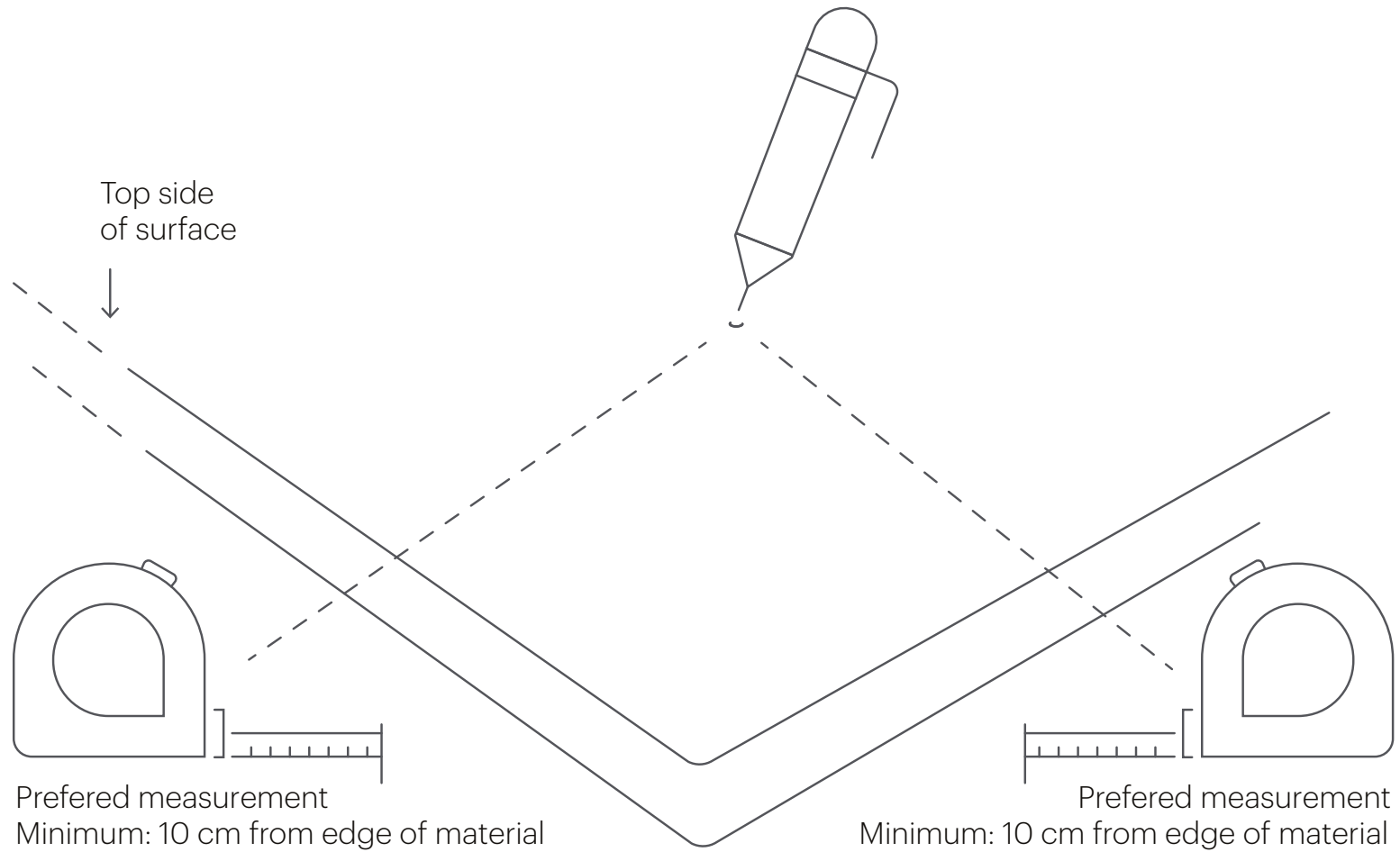
# Included items



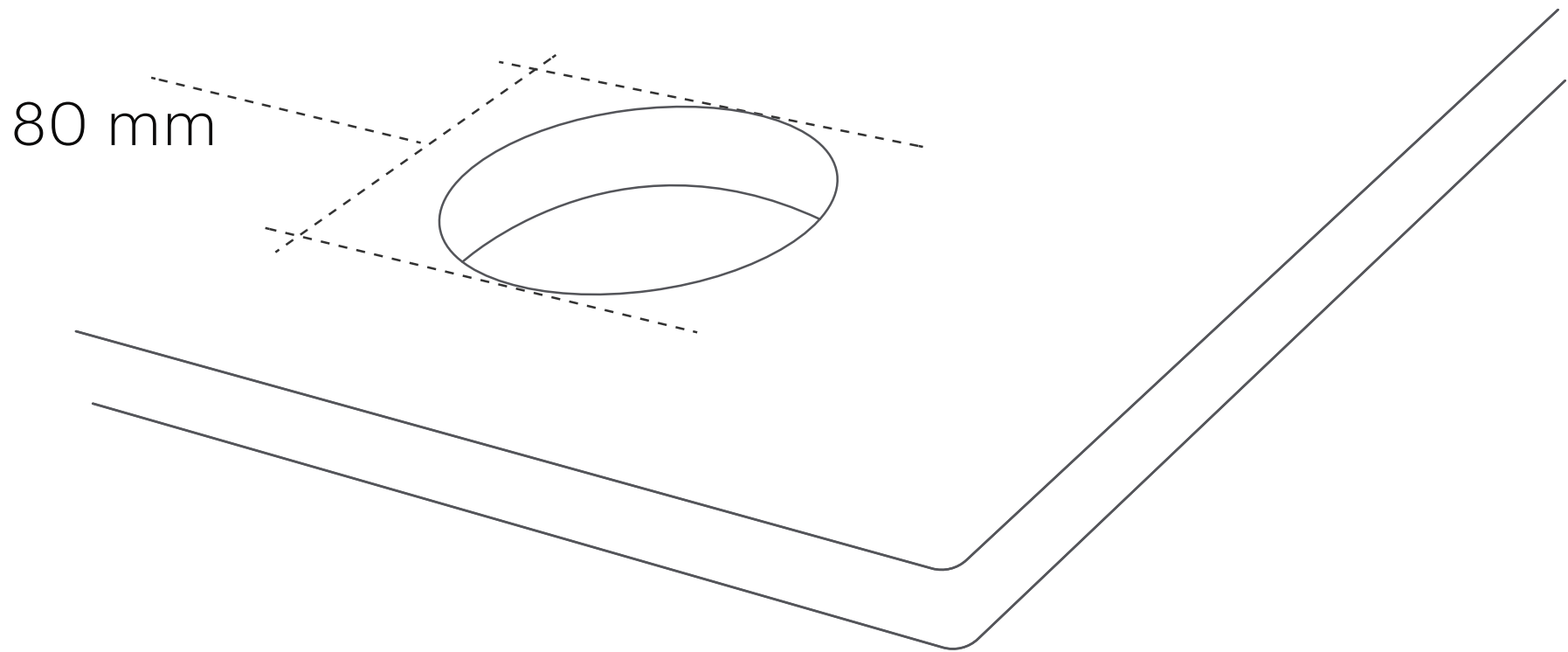
# Required tools

(not included)





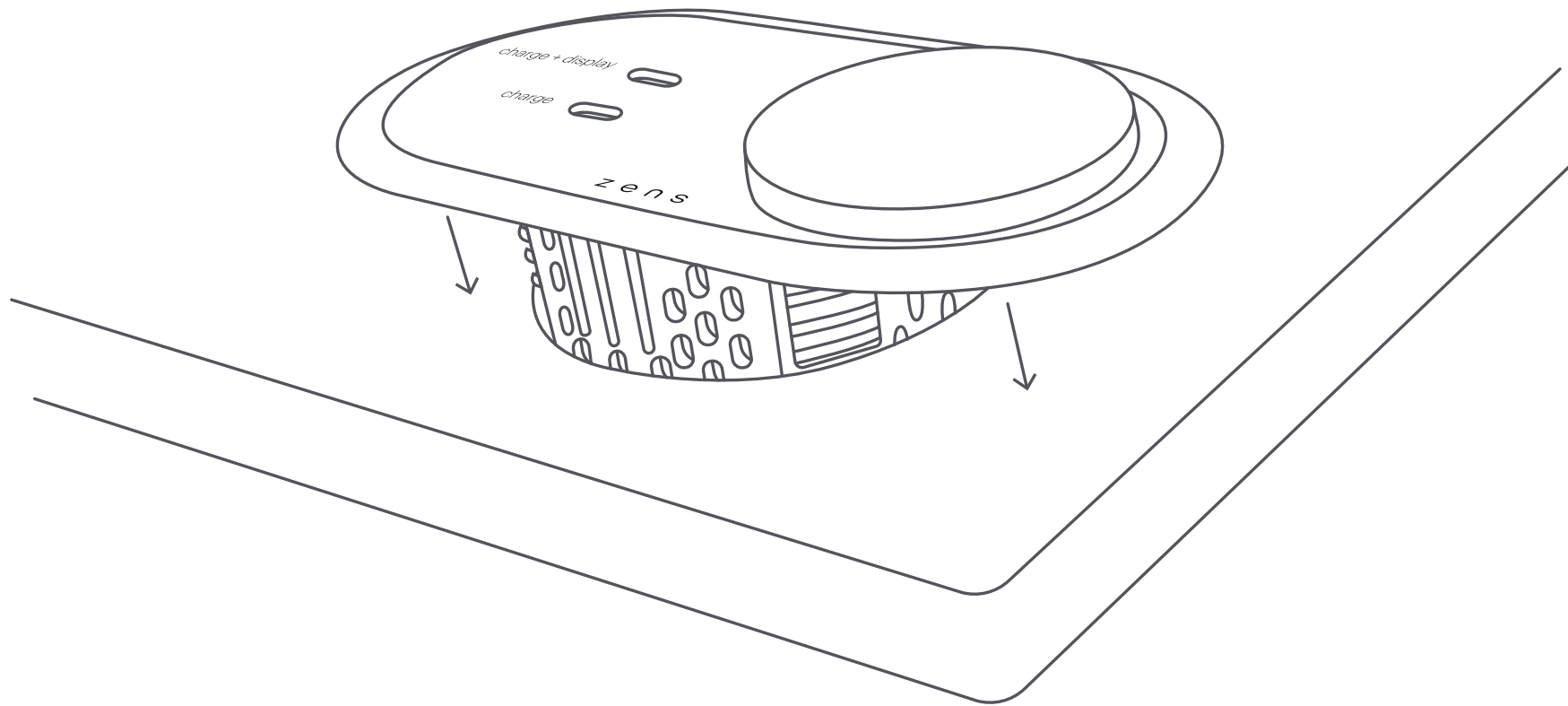
- ① Measure a distance with a minimum of 10 cm from the edge of the material
- ② Draw a little dot to indicate the drilling position



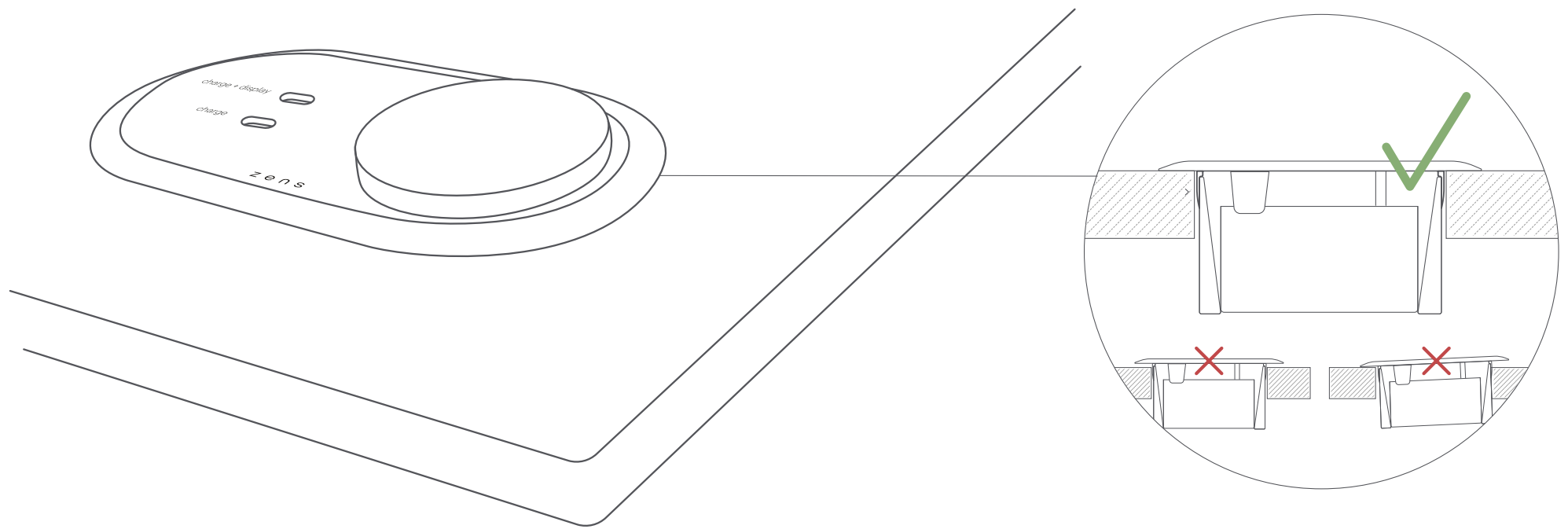
- ③ Drill a hole with a diameter of 80 mm in the surface at the position where the PuK Combi HDMI should be placed.

Preferably use a 80 mm hole drill.

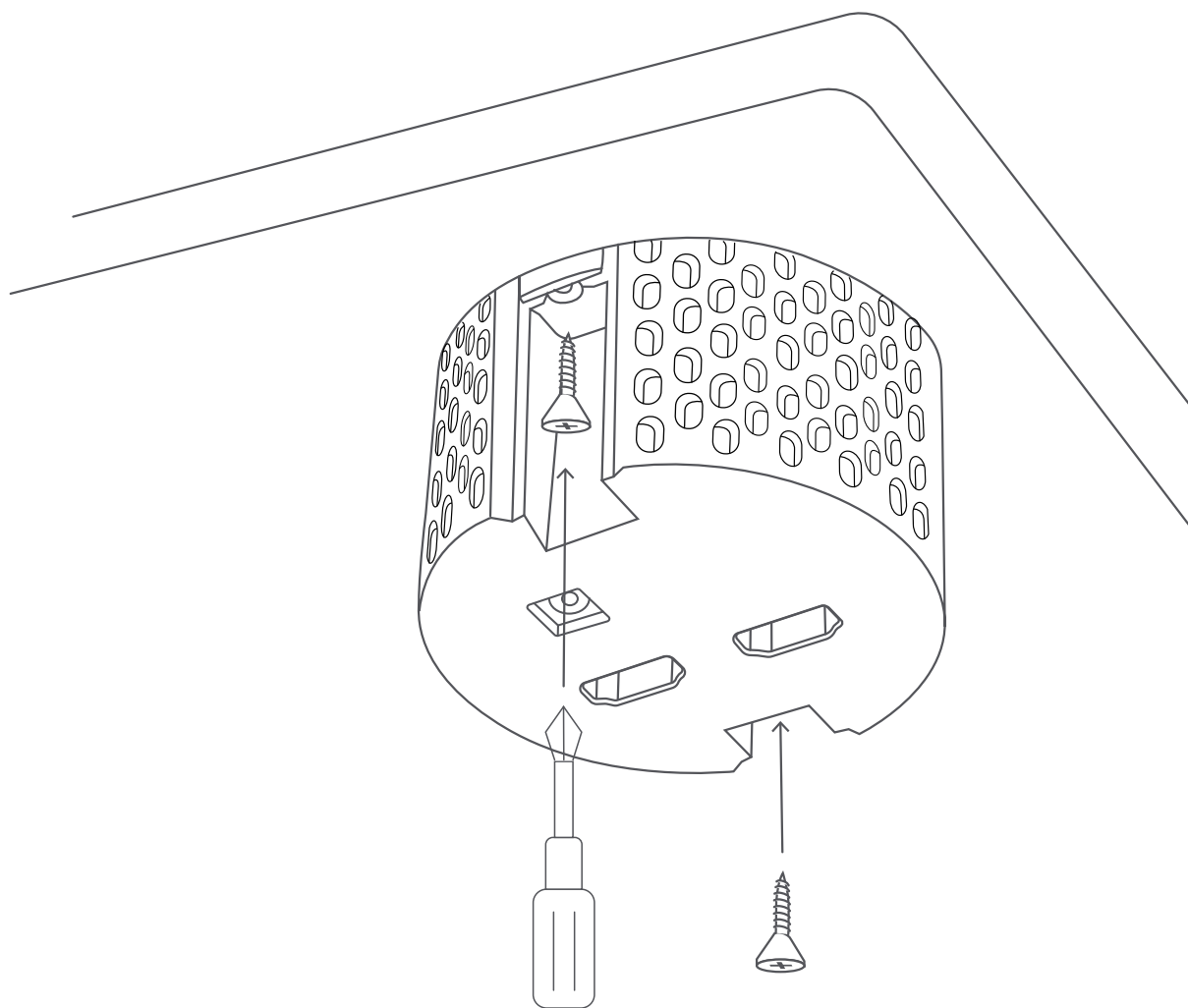




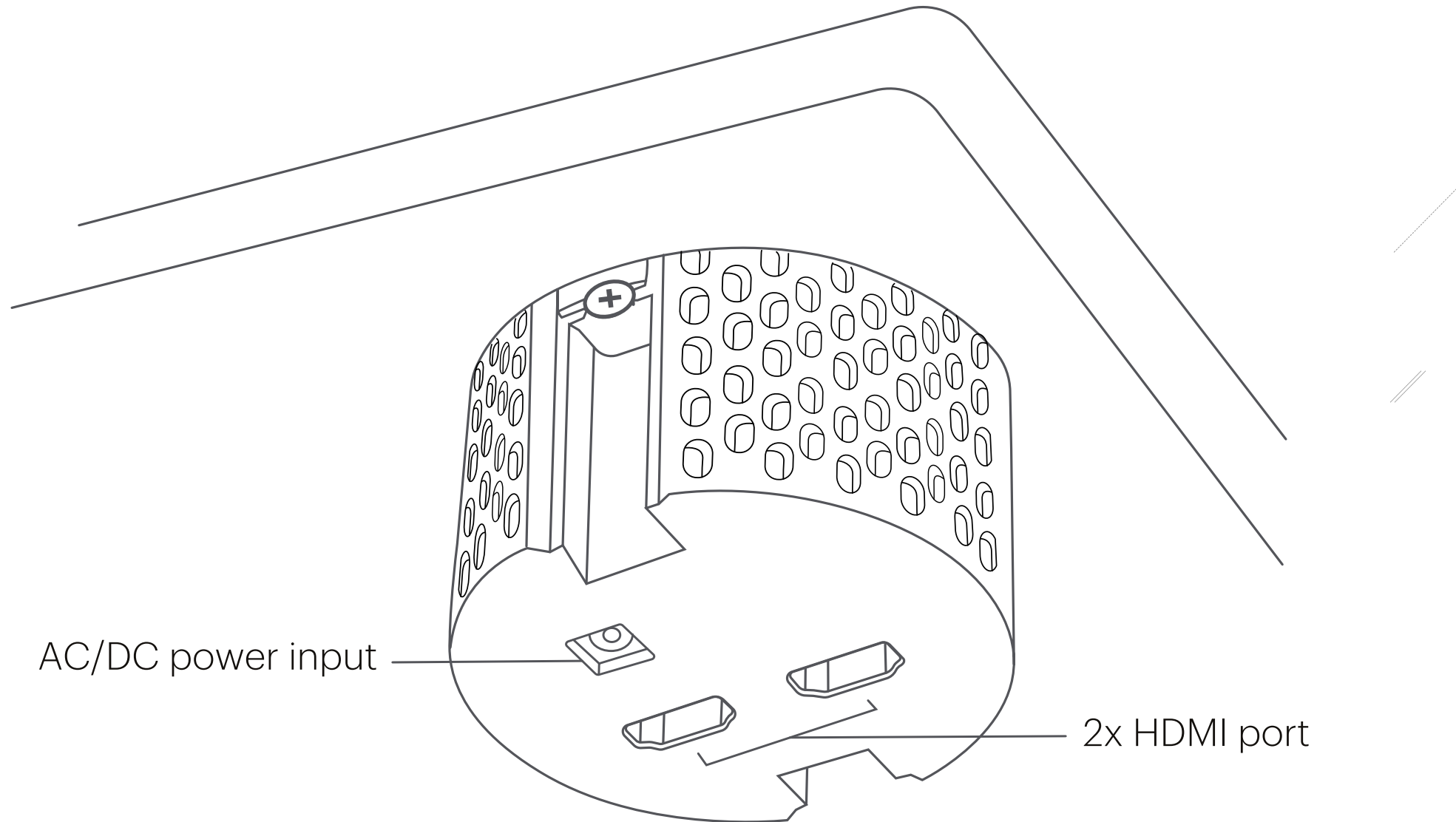
- ④ Insert the PuK Combi HDMI in the opening from above



- ⑤ Be sure that there is no space between the topplate of the PuK Combi HDMI and the built-in surface

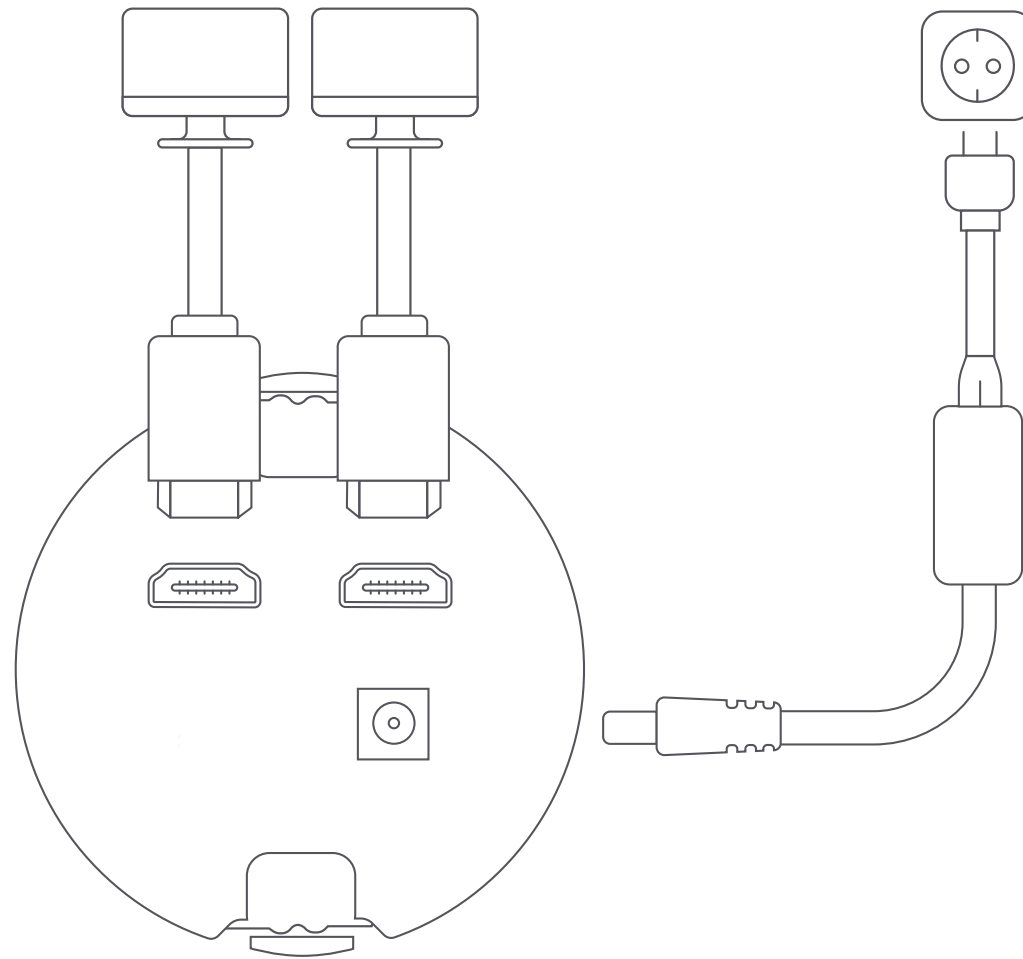


- ⑥ Use the two screws to fasten the PuK Combi HDMI in the opening.

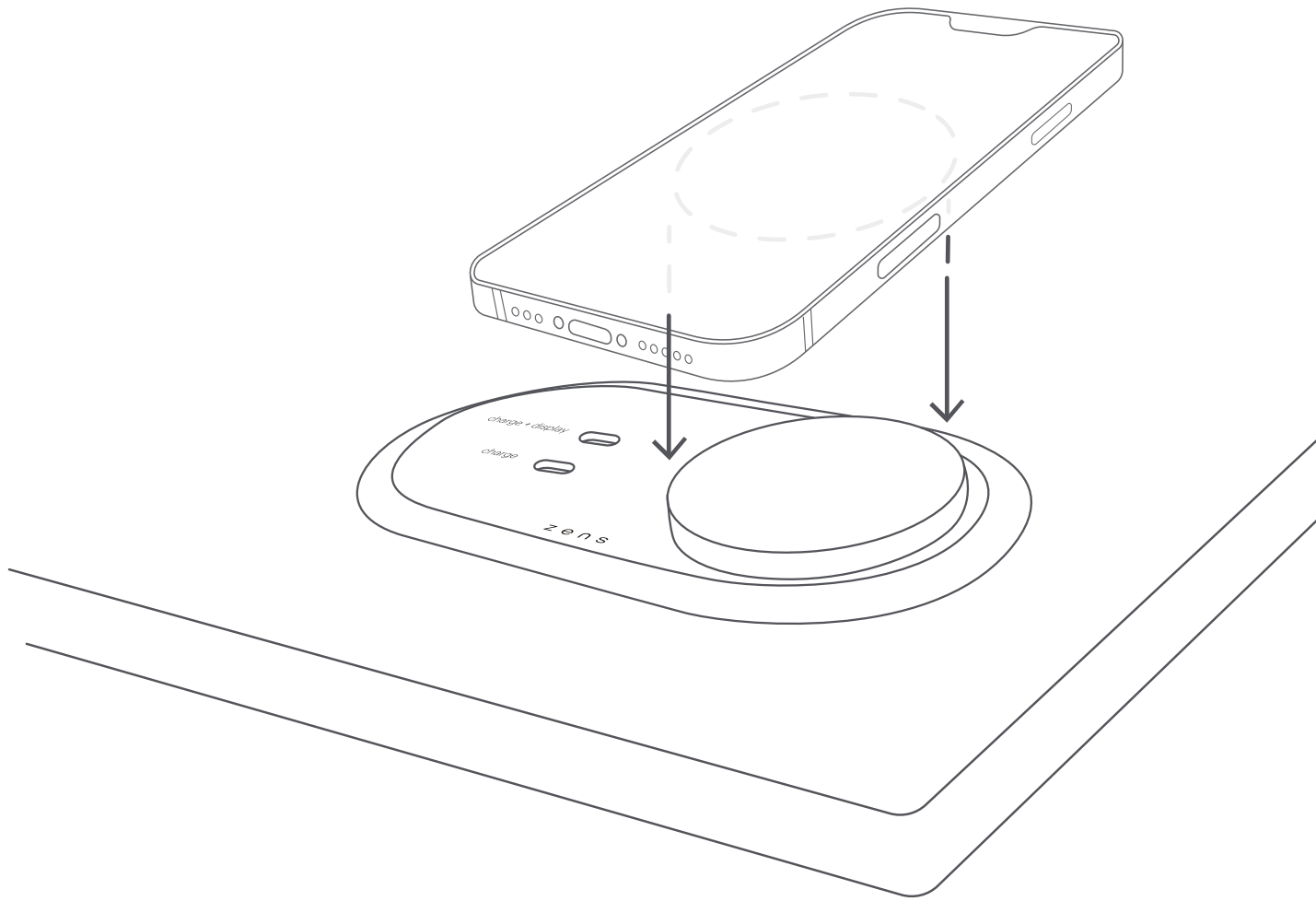


AC/DC power input

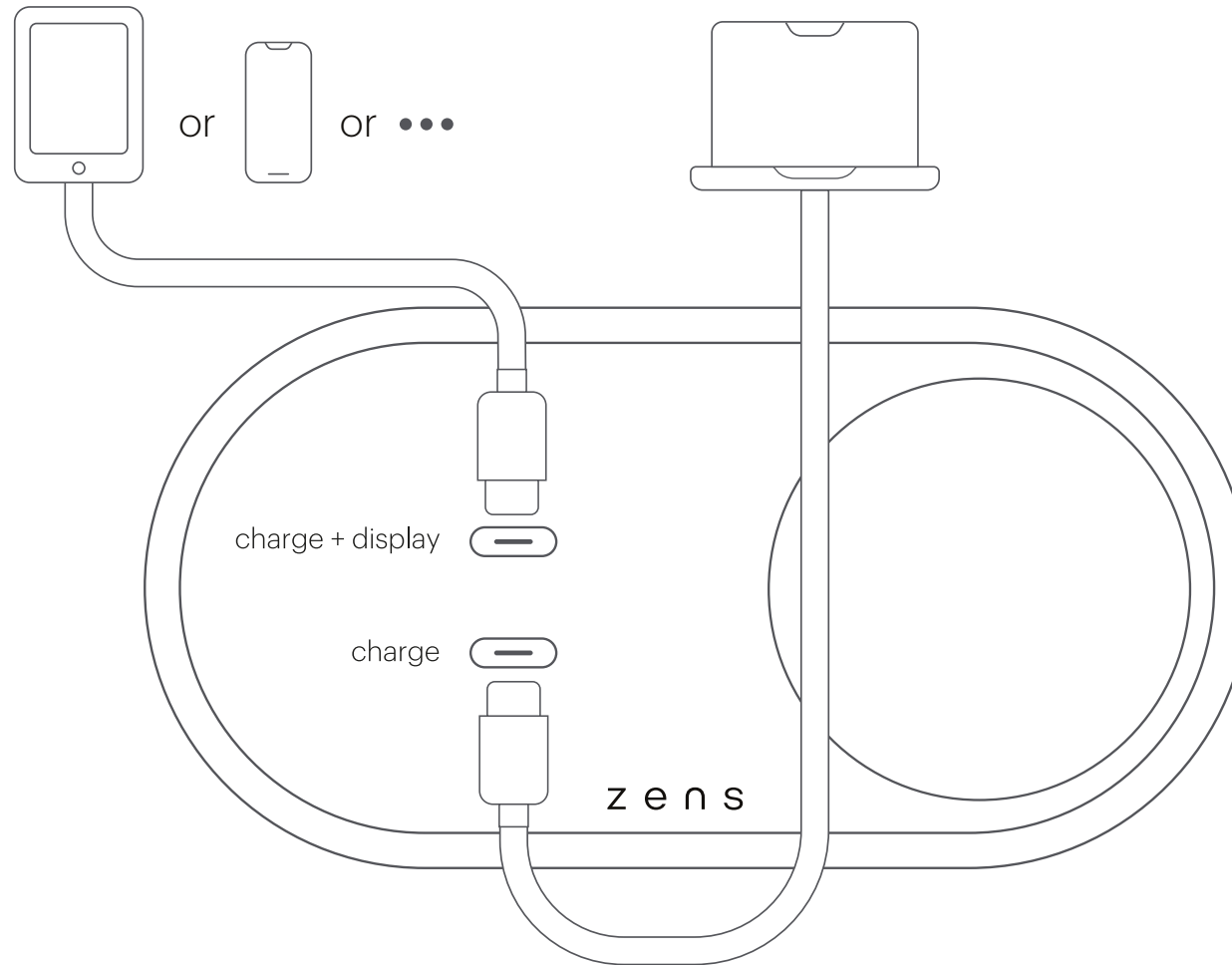
2x HDMI port



- ⑦ Insert the power supply into the PuK Combi HDMI and the power plug into the nearest power socket.
- ⑧ Connect one or two monitors via the integrated HDMI ports.  
(HDMI cable not included)



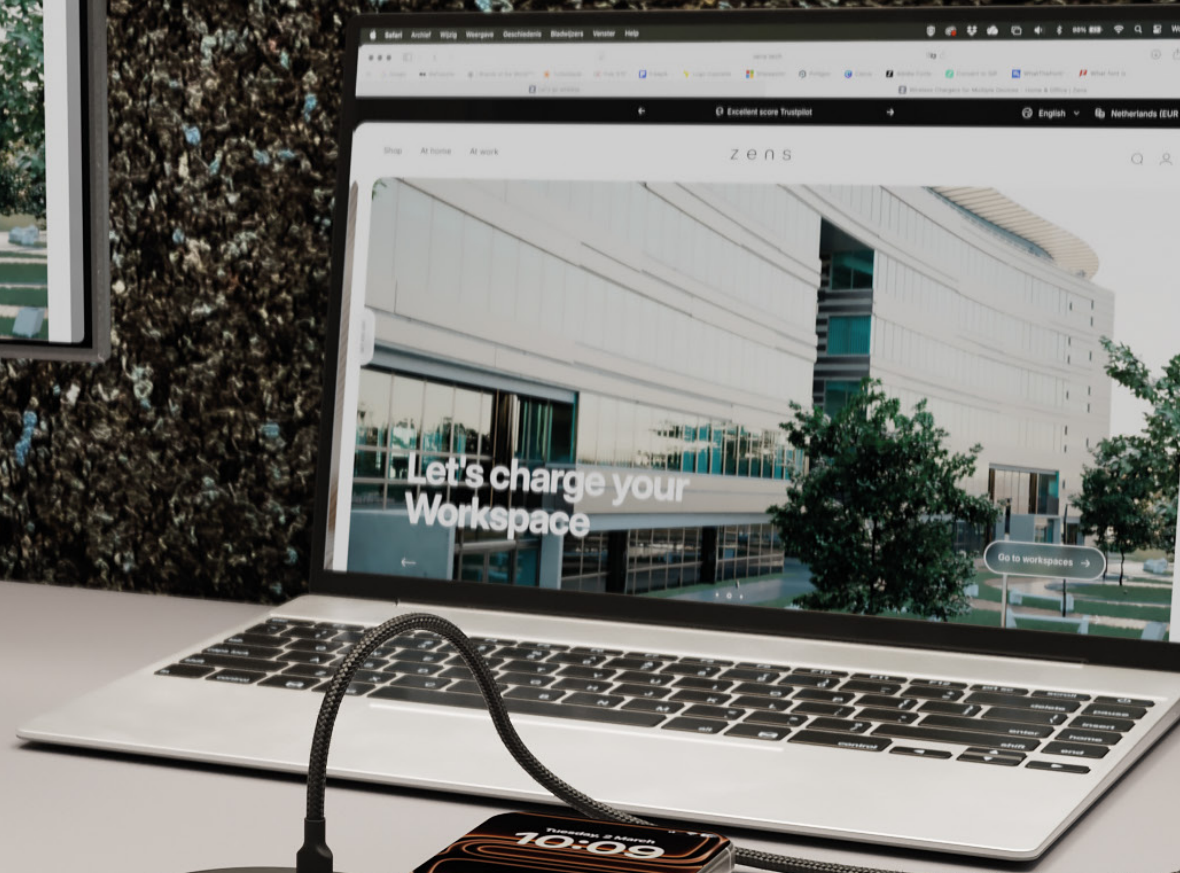
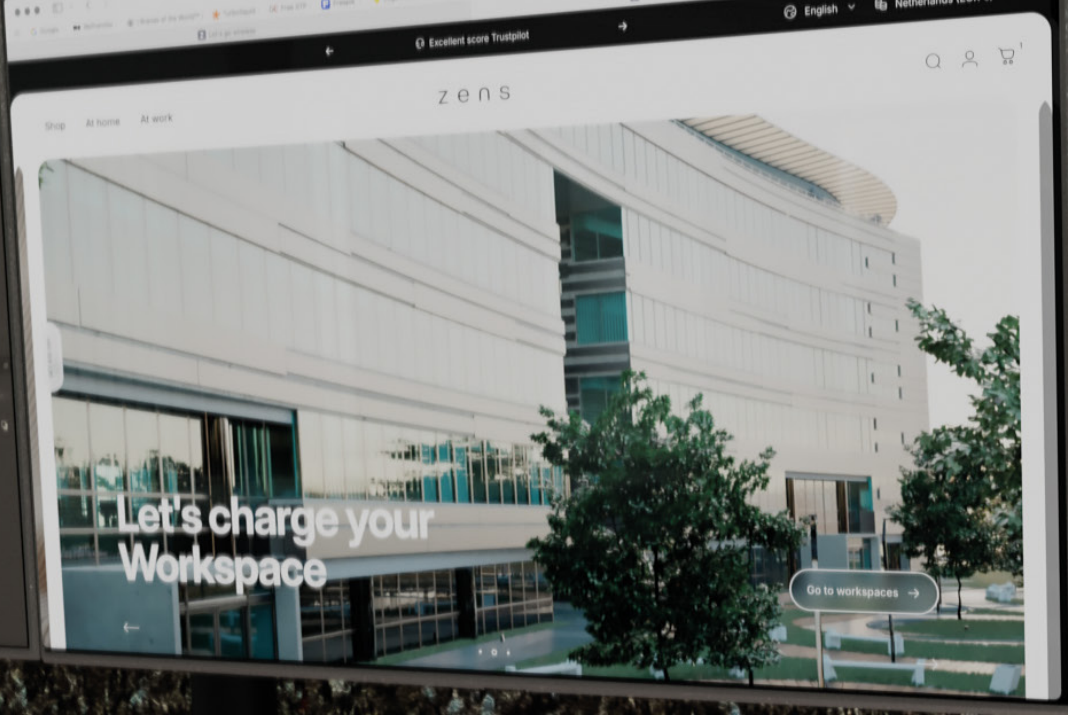
- ⑨ To start charging, place the Qi2 enabled device on the magnetic charging spot.



- ⑩ Connect USB-C power delivery cable\* (not included) to charge + display port and your laptop to charge, share your screen and connect to internet. Set up your preferred screen settings on your laptop.
- ⑪ Use the charge port to charge a third device via a USB-C power cable.

Minimum cable requirement: USB-C 3.2 gen 2, 10Gbit/s, 4K (max resolution 3840 x 2160 pixels), 60W (100W recommended)

z e n s



**Charge  
your  
Workspace**

zens.tech