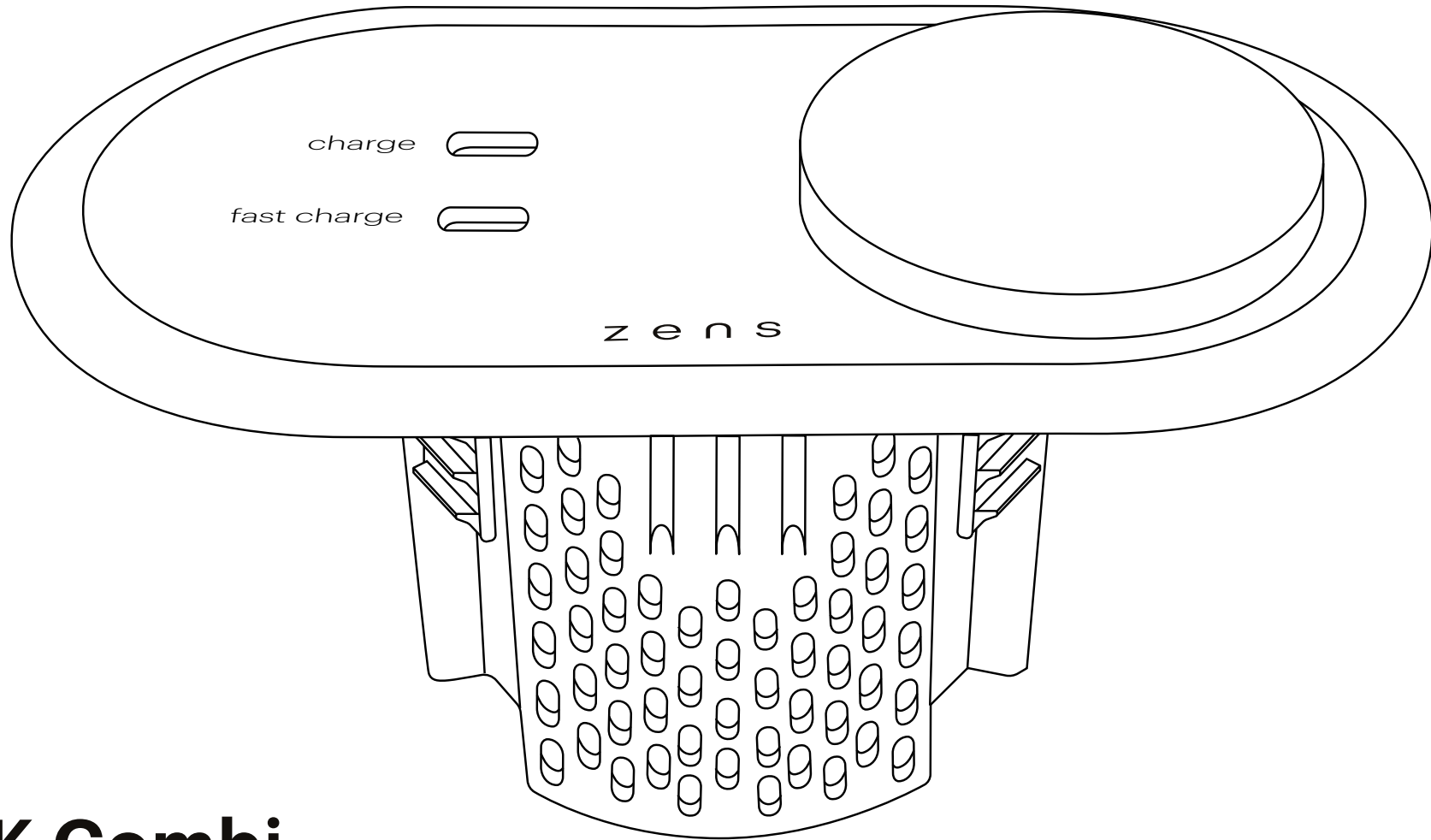
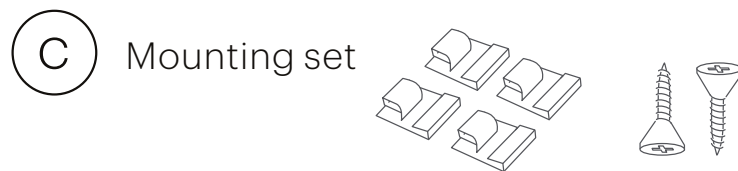
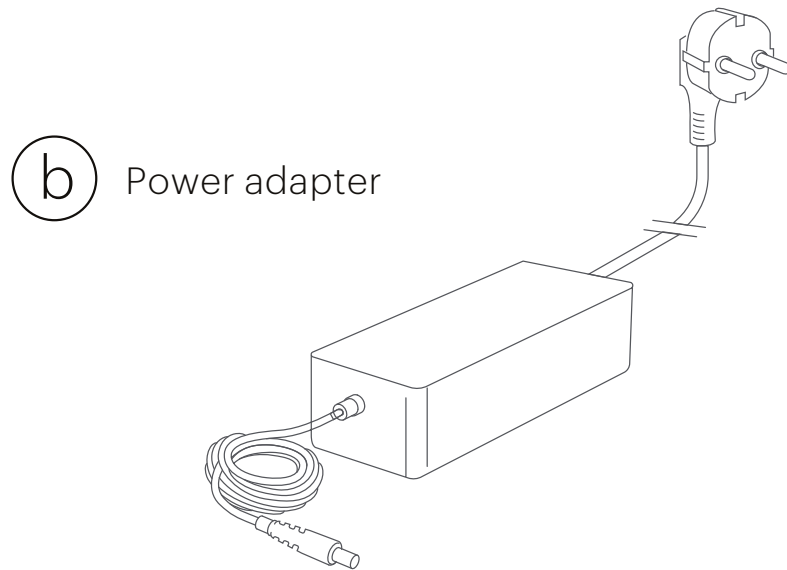
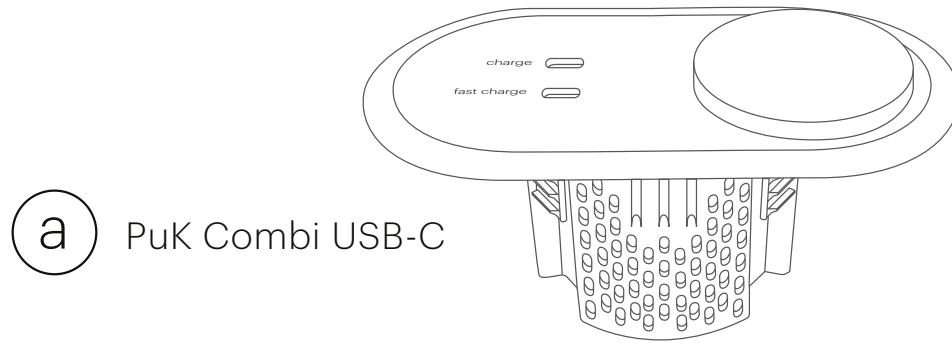


z e n s



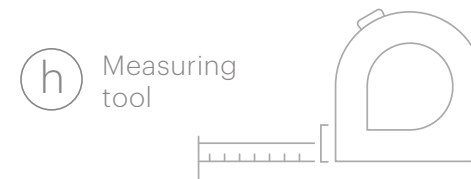
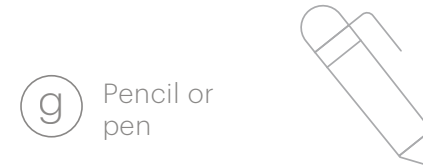
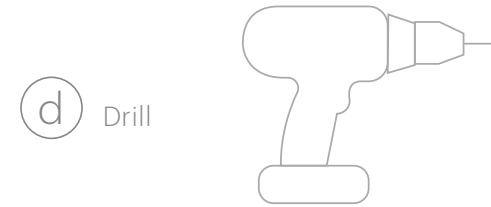
PuK Combi USB-C installation

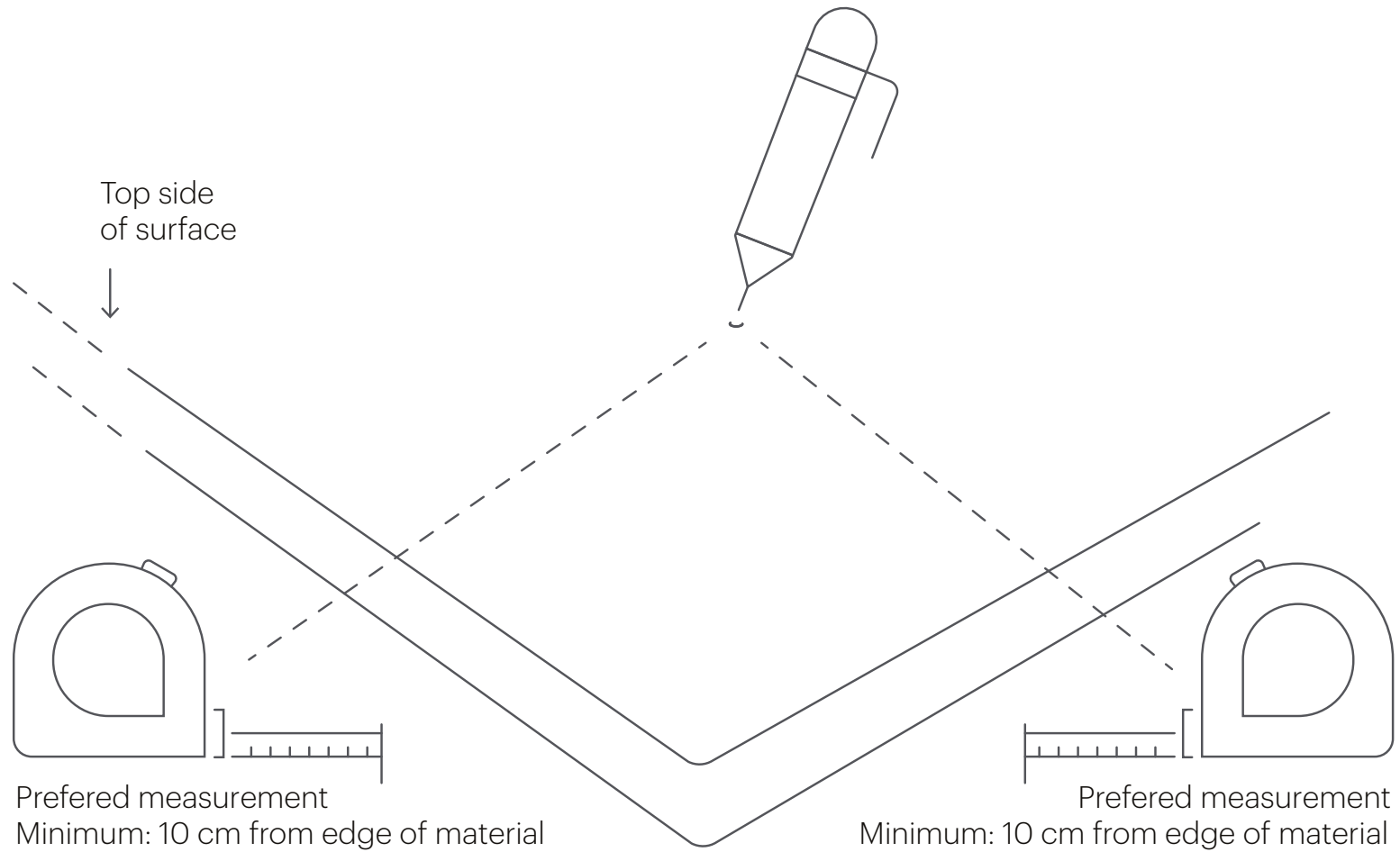
Included items



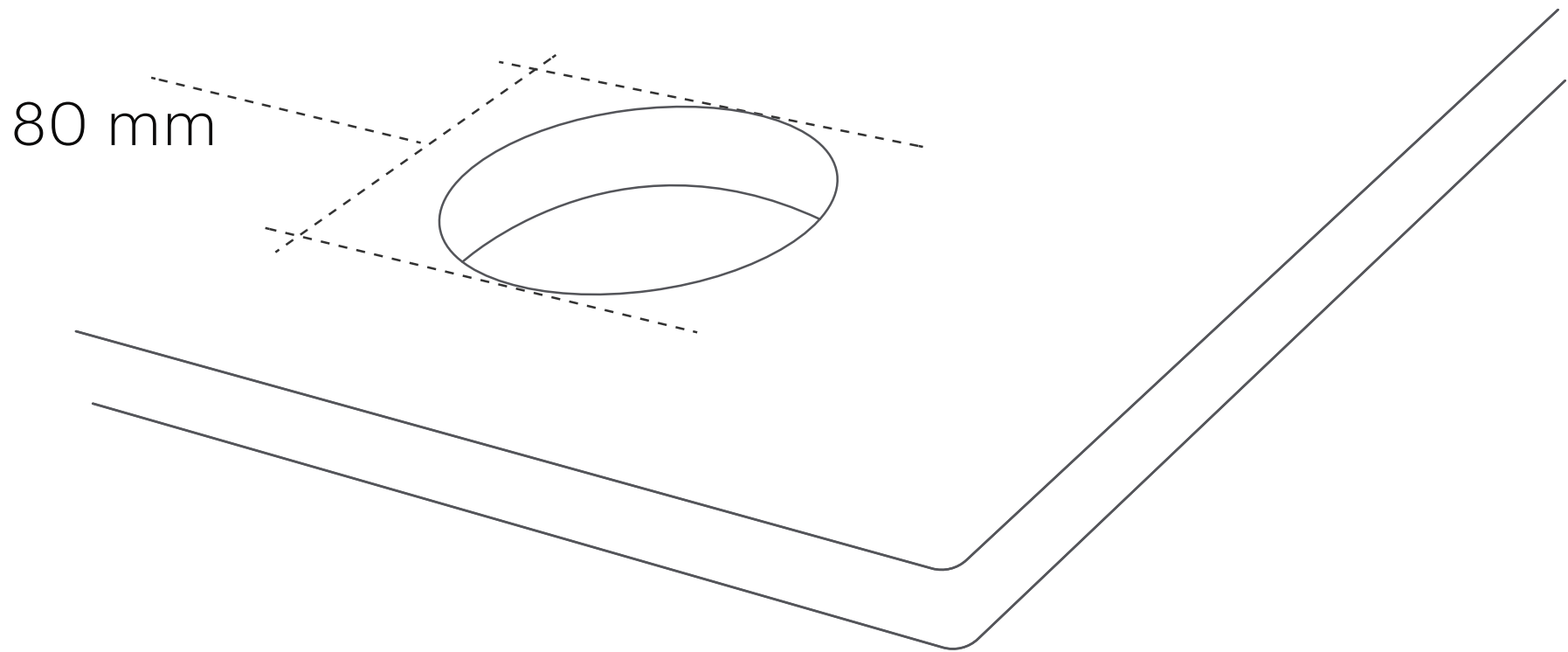
Required tools

(not included)





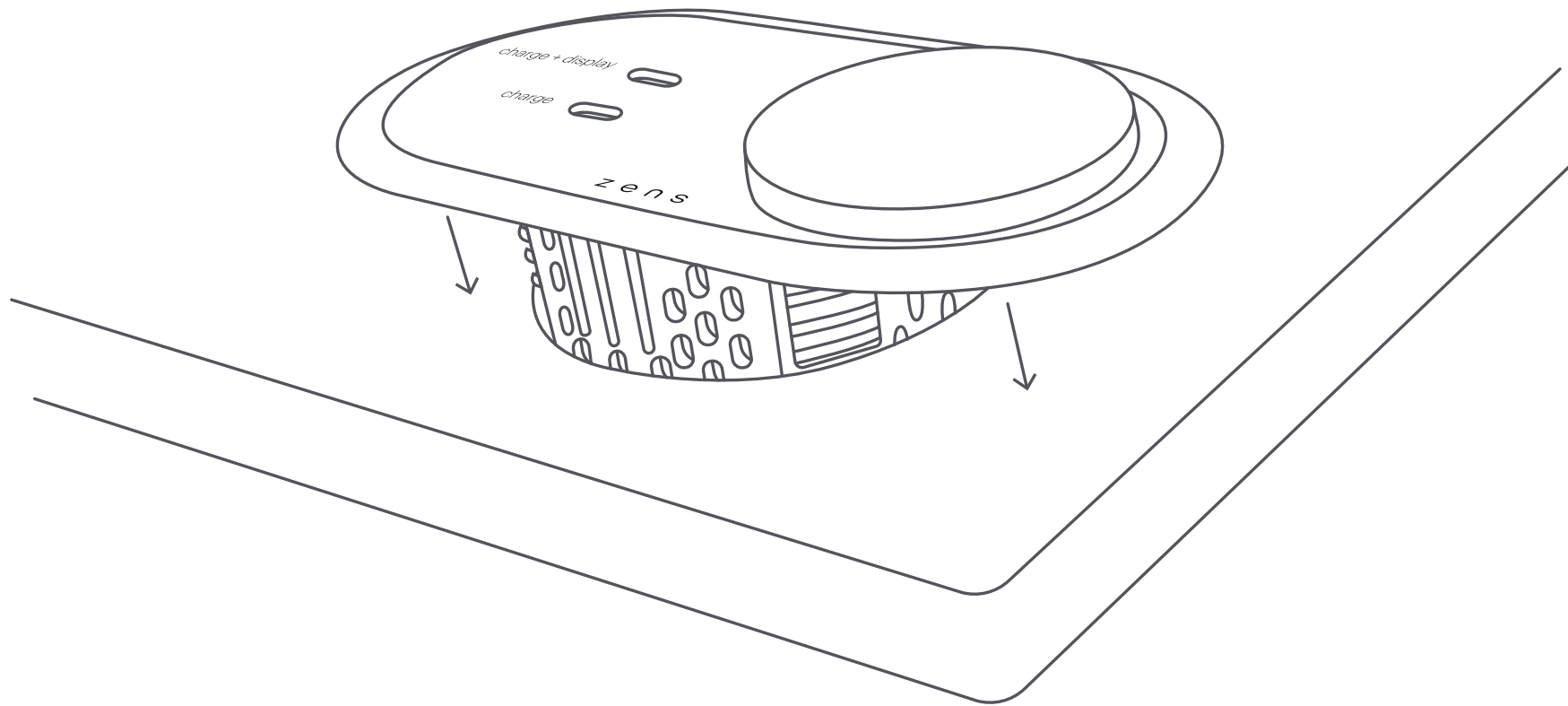
- ① Measure a distance with a minimum of 10 cm from the edge of the material
- ② Draw a little dot to indicate the drilling position



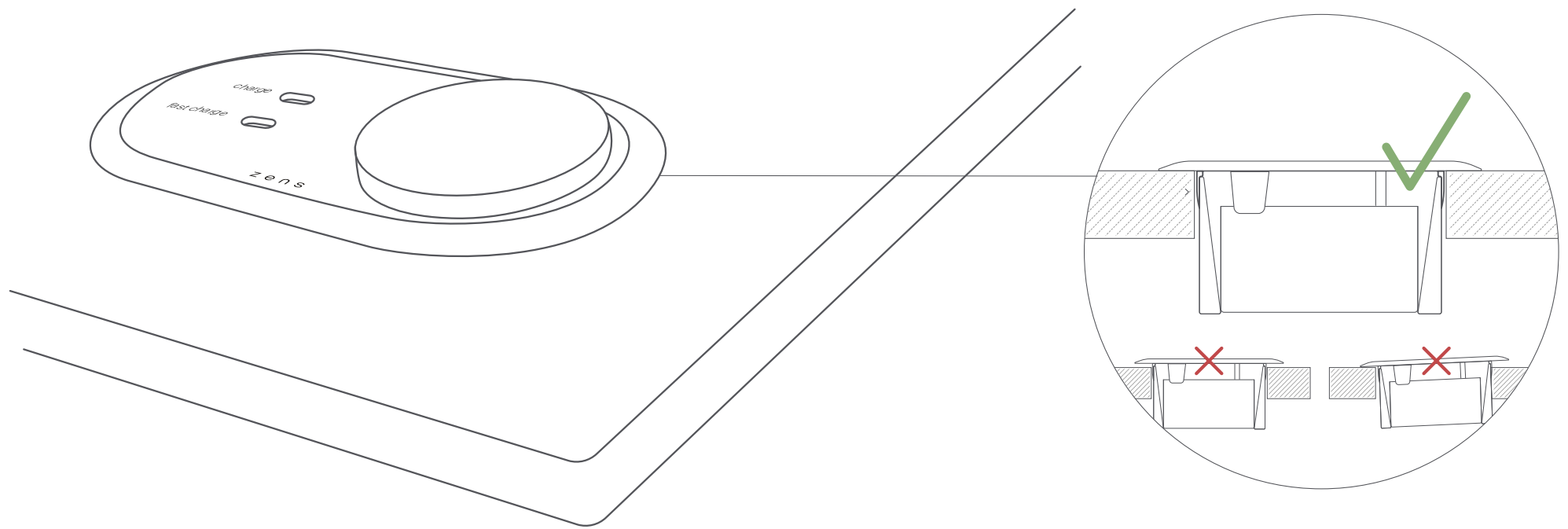
- ③ Drill a hole with a diameter of 80 mm in the surface at the position where the PuK Combi USB-C should be placed.

Preferably use a 80 mm hole drill.

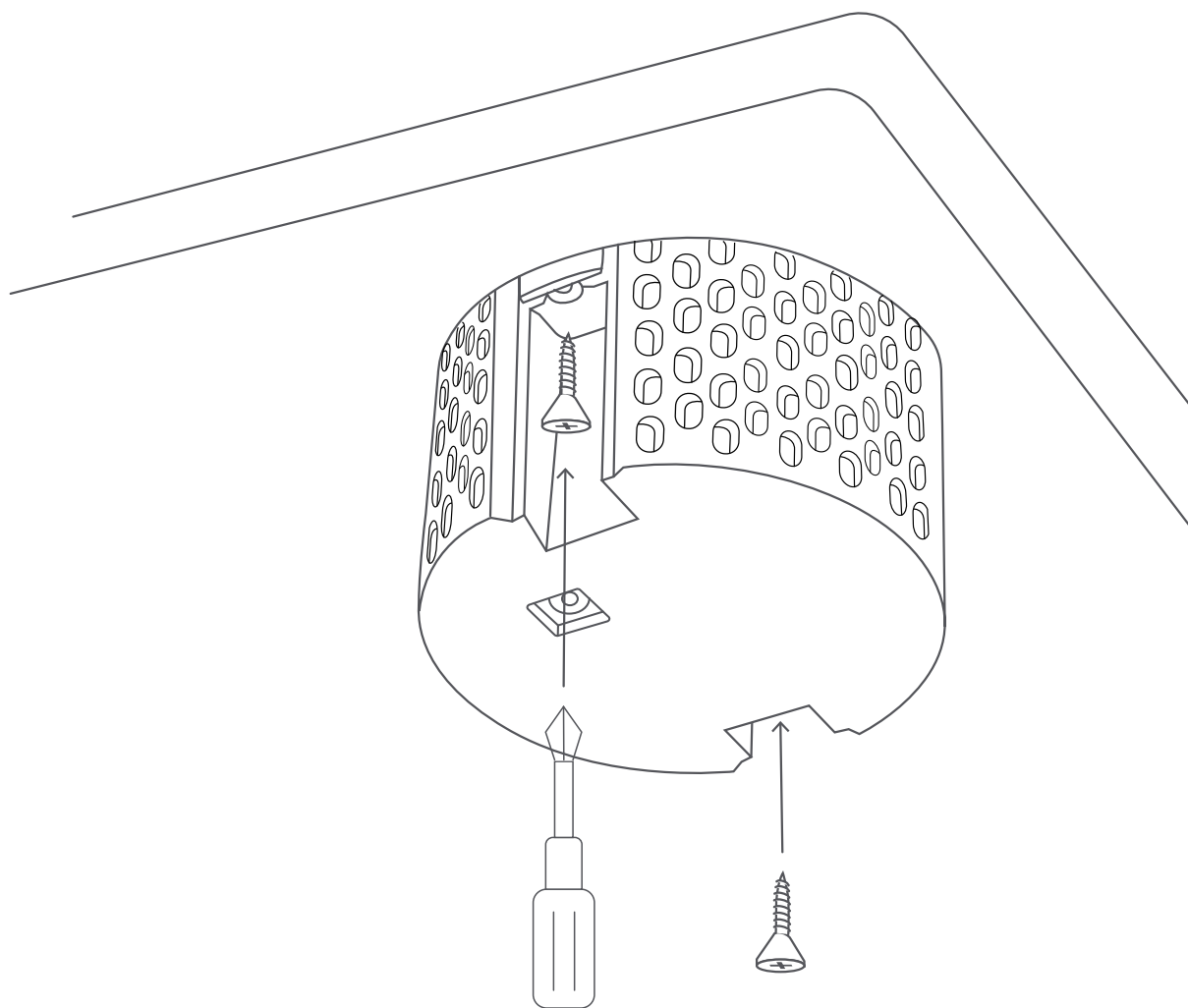




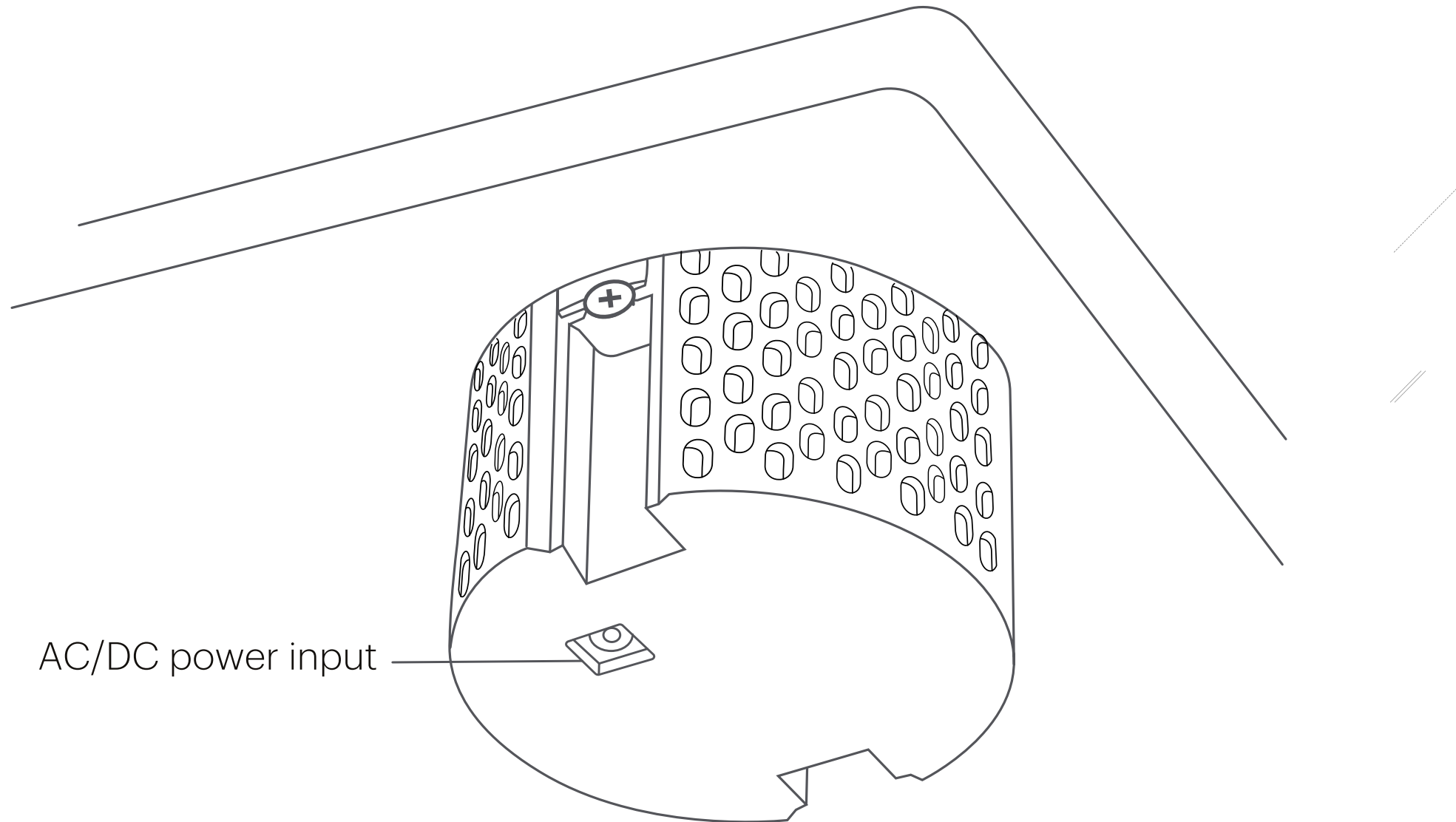
- ④ Insert the PuK Combi USB-C in the opening from above



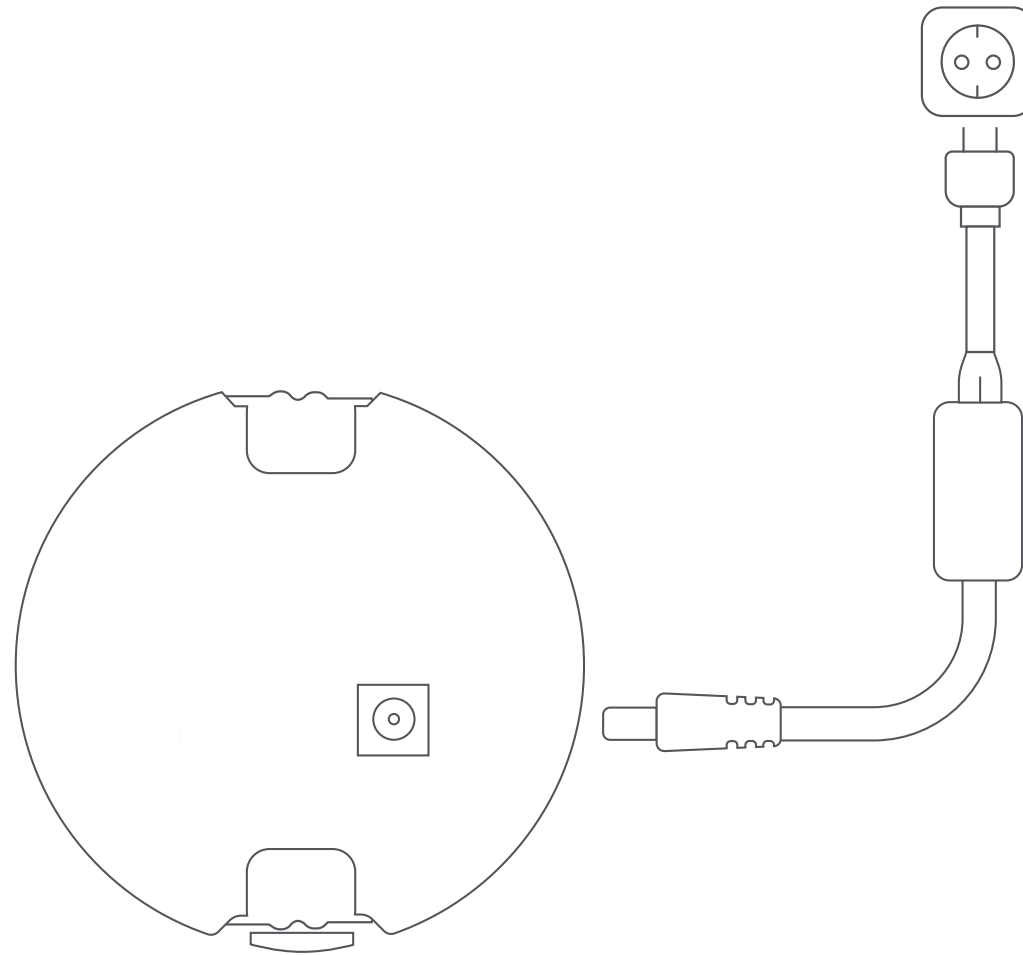
- ⑤ Be sure that there is no space between the topplate of the PuK Combi USB-C and the built-in surface



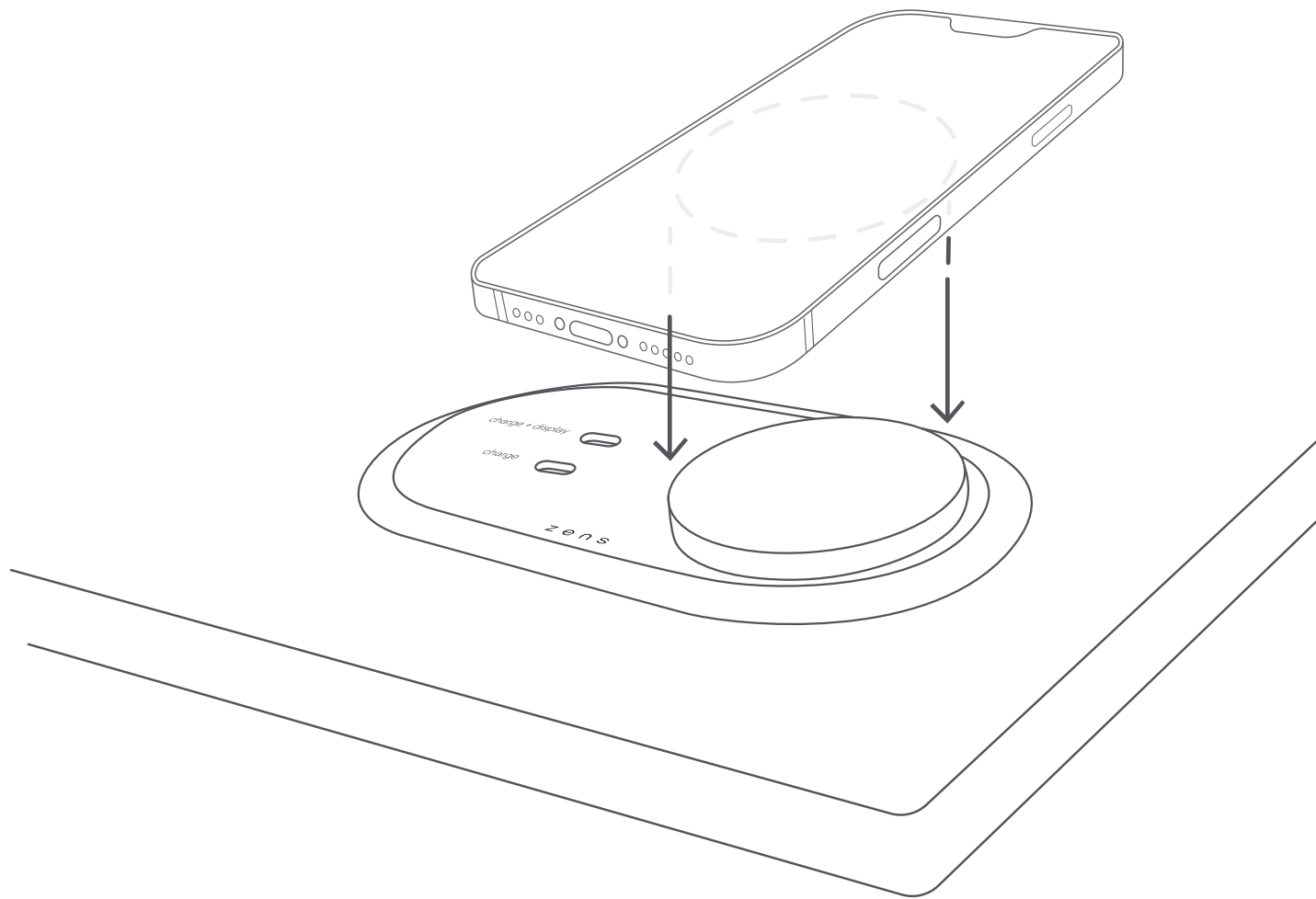
- ⑥ Use the two screws to fasten the PuK Combi USB-C in the opening.



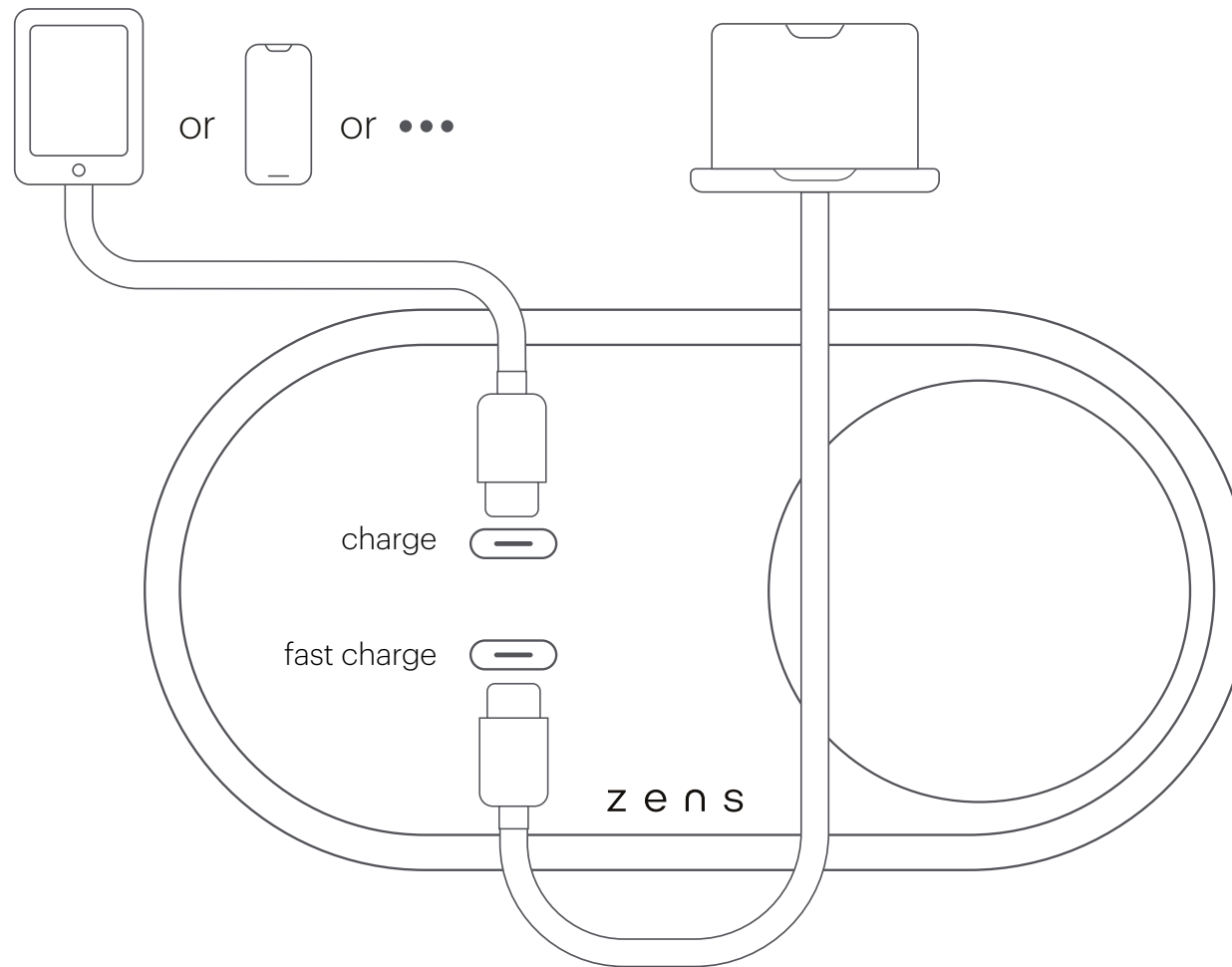
AC/DC power input



- ⑦ Insert the power supply into the PuK Combi USB-C and the power plug into the nearest power socket.

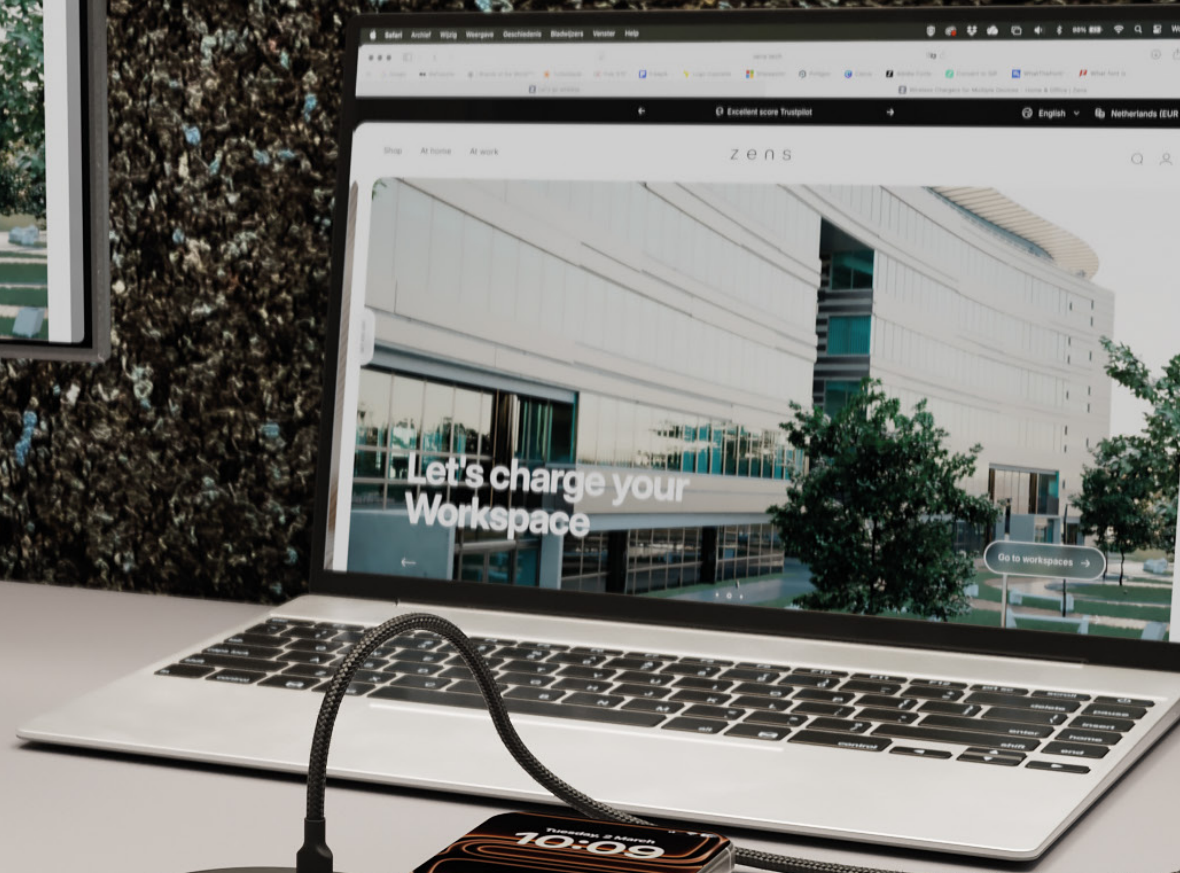
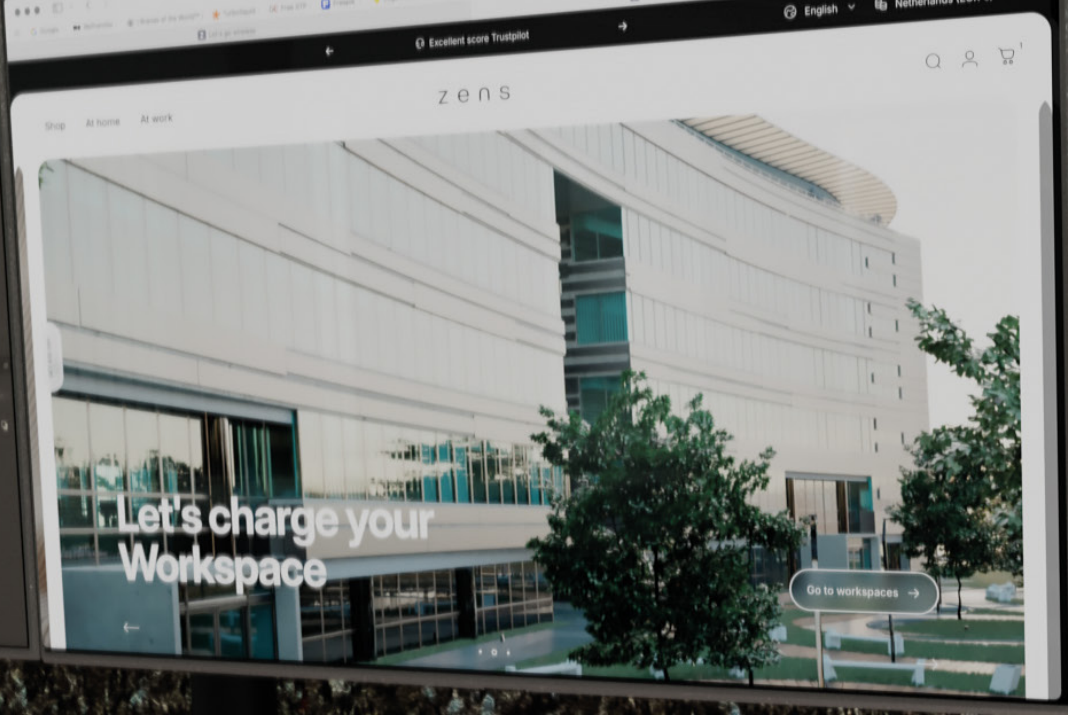


- ⑧ To start charging, place the Qi2 enabled device on the magnetic charging spot.



- ⑨ Connect USB-C power delivery cable* (not included) to Fast charge port and your laptop to charge.
- ⑩ Use the charge port to charge a third device via a USB-C power cable.

z e n s



**Charge
your
Workspace**



zens.tech